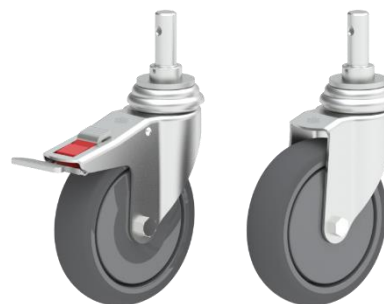




Hospital Bed and Medical Equipment Castors Steel Framed Heavy-Duty Hospital Bed Castors

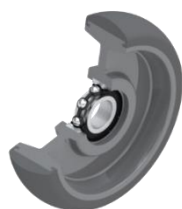
Swivel castors with steel frames and TPE wheels.
Maximum load capacity tested according to BS EN 12531:1999 requirements.

Fixing System	Single bolt fixing or solid stem with threaded fixing hole
Frame	Cold pressed steel plate
Wheel Tread	Thermoplastic elastomer
Wheel Bearing Type	Precision ball bearings
Brake / Stopper	Total brake (TPRJB type castors) or directional lock (TPRJS type castors)



Picture may differ from actual product

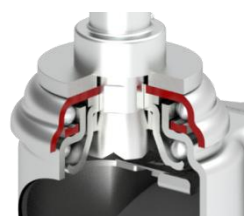
Features



Precision ball bearings



Pressed steel frames



Housing of load bearing made of hardened steel (visualised in red)



Threadguards to prevent dust manifestation



Foot actuated total brake (TPRJB type castors)

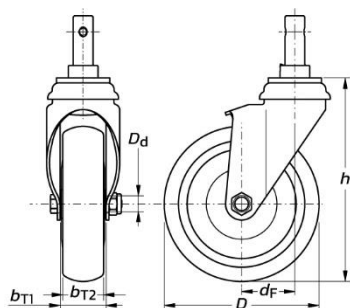


Directional Lock prevents the swivel axle from revolving and turns the swivel castor into fixed / rigid castor. Excellent for single person operation (TPRJS type castors)

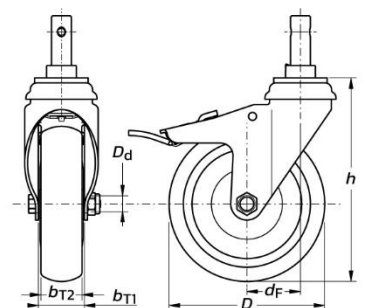


Quick and hassle-free installation with plastic adaptors that would fit easily into the pipe of bed legs. Available in round shape (ø27,3mm, ø28,5mm, ø29,3mm, ø35,5mm and ø39mm) and rectangular shape (27mm × 57mm and 36 × 36mm).
Applicable only to castors with SF16 suffix.

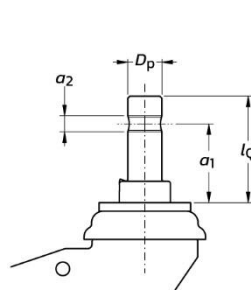
Technical Information



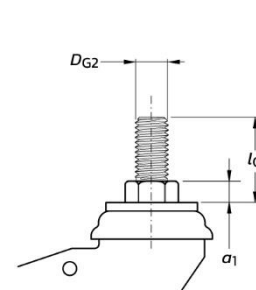
TPRJ Swivel Castors



TPRJB Swivel Castors with Total Brake
TPRJS Swivel Castors with Directional Lock



Drawing applicable to castors with Solid Stem Fitting (SF16 suffix)



Drawing applicable to castors with Single Bolt Fixing (BF58 suffix)

Order Code	Load Capacity (kg)	Dimensions (unless stated otherwise, dimensions are in millimetres)										Physical Mass (in grams)		
		D_p	l_Q	D_{G2}	a_1	a_2	D	h	d_F	b_{T1}	b_{T2}		D_d	Swept Radius
TPRJ-100-SF16	80	16	50	-	37	M6	100	140	46	37	28	8	96	710
TPRJ-100-BF58	80	-	40	5/8" UNC	10	-	100	140	46	37	28	8	96	685
TPRJB-100-SF16	80	16	50	-	37	M6	100	140	46	37	28	8	139,6	905
TPRJB-100-BF58	80	-	40	5/8" UNC	10	-	100	140	46	37	28	8	139,6	830
TPRJS-100-SF16	80	16	50	-	37	M6	100	140	46	37	28	8	139,6	905
TPRJ-125-SF16	100	16	50	-	37	M6	125	163	43	37	32	8	105,5	845
TPRJ-125-BF58	100	-	40	5/8" UNC	10	-	125	163	43	37	32	8	105,5	780
TPRJB-125-SF16	100	16	50	-	37	M6	125	163	43	37	32	8	139,6	1055
TPRJB-125-BF58	100	-	40	5/8" UNC	10	-	125	163	43	37	32	8	139,6	995
TPRJS-125-SF16	100	16	50	-	37	M6	125	163	43	37	32	8	139,6	1050

Technical information and dimensions provided above are subject to tolerances